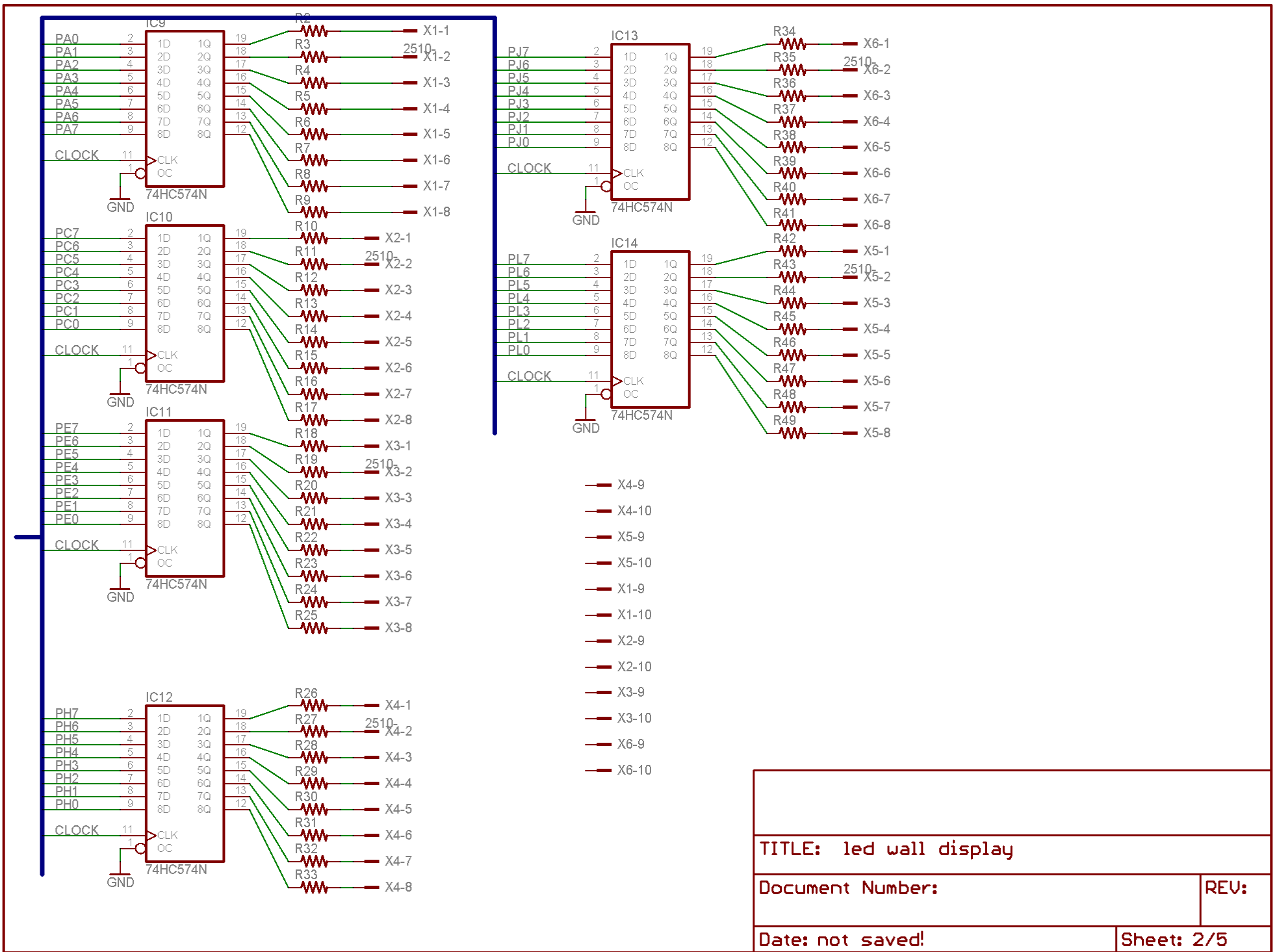
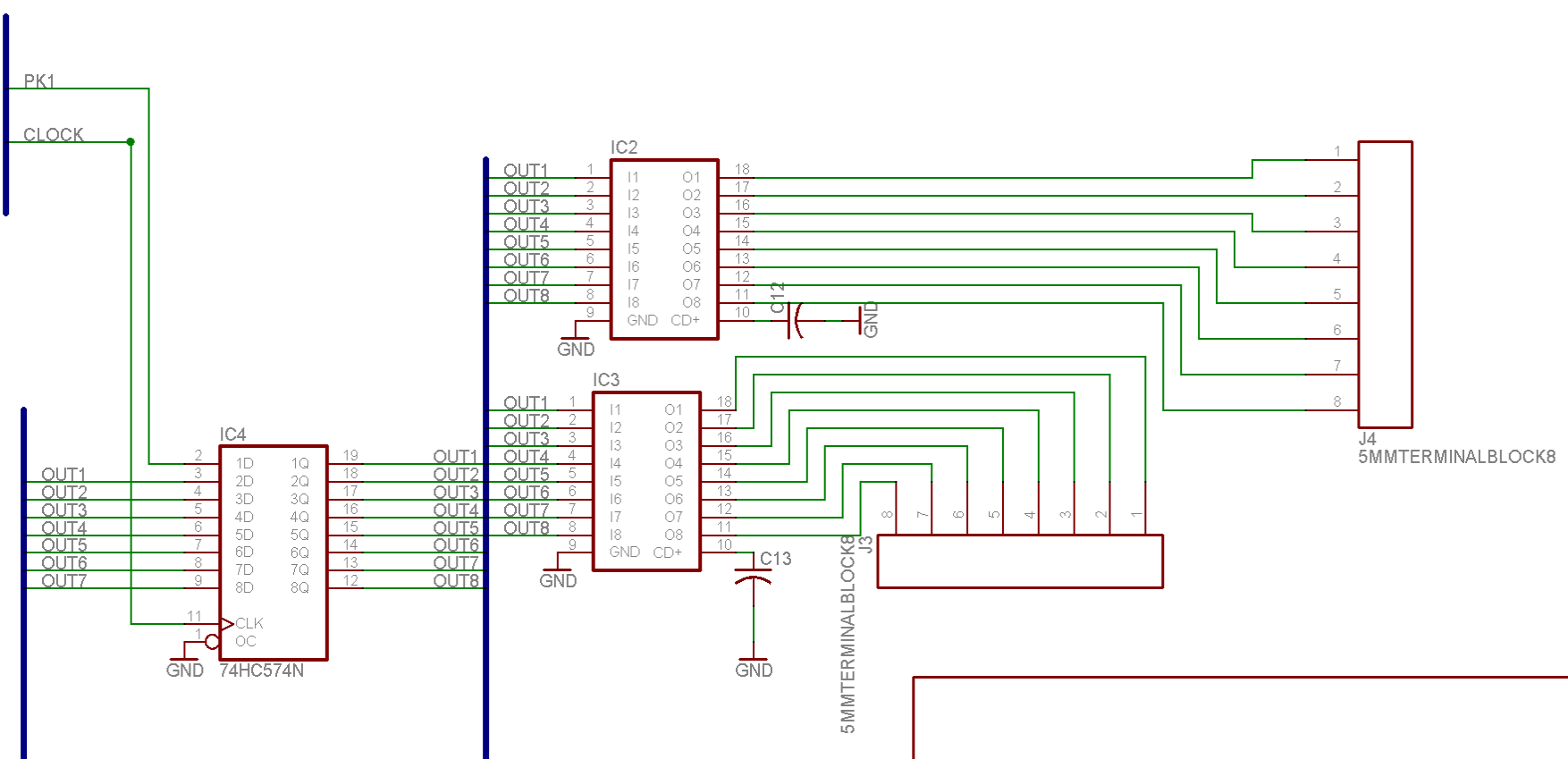


TITLE: led wall display	
Document Number:	REV:
Date: not saved!	Sheet: 1/5





TITLE: led wall display	
Document Number:	REV:
Date: not saved!	Sheet: 3/5